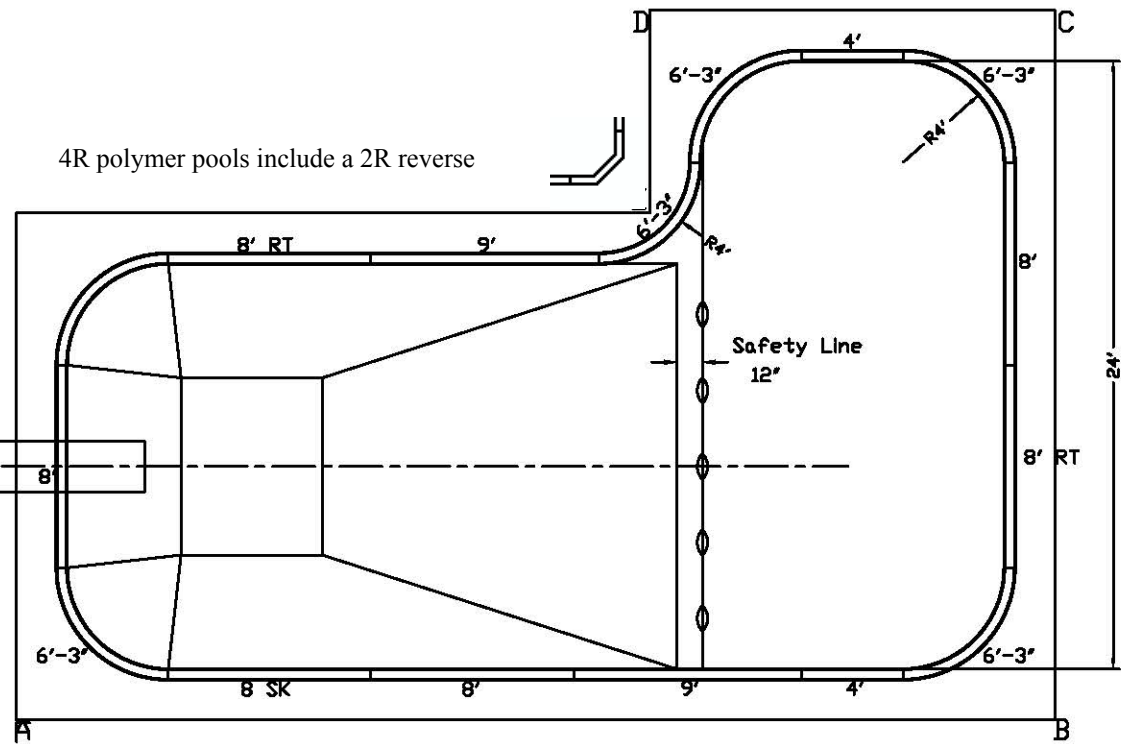


Max. Length of
Diving Board 8'
Jump Board 6'

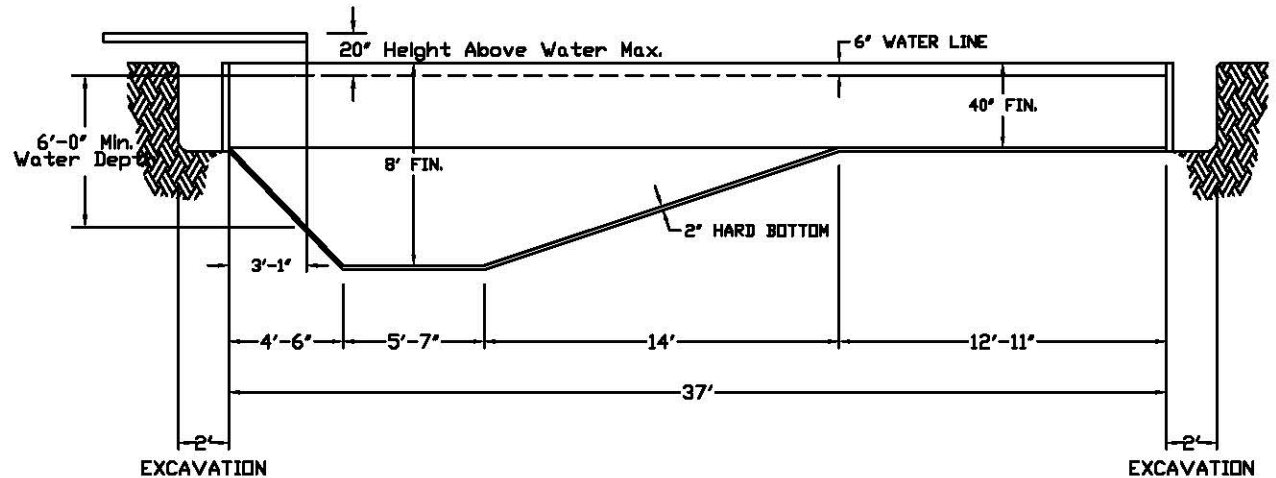
4R polymer pools include a 2R reverse



Polymer pool kits have maximum 6' panel length

STAKE OUT	
A-C	49'-7 3/4"
A-E	32'-0 1/8"
B-D	32'-3"
B-E	25'-7 3/8"
B-F	45'-7 3/8"
C-E	17'-10 5/8"

N.S.P.I. TYPE II DIVING



Classic Series

RoyalSwimmingPools.com

877-602-7067

16x37x24 SQUARE-L RIGHT

DRAWN BY: NM		Revisions		PER: 111'-8"	
DATE: 02/02/07	1			S.A.: 674, 265 ft ²	
SCALE: NTS	2			VOL: 1	
DRAWING NUMBER: ALP1637RSL407				APPROVED:	